



# PROTEUS ATLAS



# ELATION®

500W Solid State phosphor-converted Beam FX Fixture

**DATA SHEET**



## KEY FEATURES

- 500W Solid State Phosphor-Converted (SSPC) Light Engine
- IP66 housing
- Ultra Long Throw Beam FX
- Continuous 360 Pan Movement
- CMY Color Mixing
- FX Package with rotating, fixed gobos, prisms and dual frost
- Sky Motion Standalone System
- Protective Foam In Lay for transport

The remarkable **PROTEUS ATLAS** is an extremely powerful and feature-packed IP66 Beam FX fixture with razor-thin 0.6° beam (zoomable to 8.5°) that slices through the night sky in a mesmerizing display visible from vast distances. Ideally suited for theme parks, cruise ships, outdoor events and spectacles, and the perfect jaw-dropping effect for large scale shows and concerts, the sky becomes a visual canvas for its intense beam and powerful prism and flower effects.

Utilizing an ultra-efficient 500W Solid State Phosphor-Converted (SSPC) light engine, the **PROTEUS ATLAS** projects captivating beams with high energy that span very long distances. Comparable to existing 7K Xenon searchlights or sky trackers, the ultra-narrow beam projects from the mammoth 320mm (12.5") front lens as a massive column of light, adding attention-grabbing impact to any event or environment.

An artistic selection of gobos and prism overlays allow for captivating mid-air visual effects, and with its incredible light intensity all CMY colors remain strong and vibrant even when fully saturated. Beam control is provided through an ultra-fast zoom and focus lens array while dual variable frosts allow softening of the beam edges for breathtaking wash effects that paint surfaces with vibrant hues or bathe the sky in a kaleidoscope of colors.

Despite its colossal capabilities, the **PROTEUS ATLAS** maintains a compact size and consumes minimal power, meaning it can be incorporated into virtually any lighting setup. The **PROTEUS ATLAS** includes Elation's innovative Sky Motion system, allowing it to operate as an impactful searchlight effect without the need for a dedicated lighting controller. Multiple fixtures can be seamlessly interconnected, and with the simple assignment of IDs, the fixture provides immediate access to a variety of dazzling movement patterns that are easily adjustable in size, speed, and color directly from the display. The Sky Motion system allows for standalone operation and is easy to set up and adjust directly from the fixture display, even for "non-lighting" users, expanding the usability of the fixture beyond traditional show lighting applications.

Fully IP66 rated, the **PROTEUS ATLAS** stands as a testament to innovation and power, delivering extreme output comparable to large 7000W Xenon fixtures while operating at a fraction of the power for a much smaller footprint and at a weight that defies its capabilities.





# PROTEUS ATLAS



500W Solid State phosphor-converted Beam FX Fixture

**SPECIFICATIONS**

## SOURCE

500W Solid State Phosphor-Converted (SSPC)  
Light Engine  
9000K, CRI 70  
12,000 Hour Lamp Life\*

\*Test lab conditions. May vary depending on several factors including but not limited to: Environmental Conditions, Power/Voltage, Usage Patterns (On-Off Cycling), Control, and Dimming.

## PHOTOMETRIC DATA

1.000.000 Lux @ 20m  
100.000 Lux @ 100m  
Beam Angle 0.6° - 8.5°

## EFFECTS

Dual Frost (Hot- Spot Beam, Wash FX)  
Ultra- Fast Zoom  
Focus  
2x3 Prisms on Dual Planes  
Digital Shutter and Strobe  
Pan Angle 360° / 540°  
Tilt Angle 250°

## COLOR

Full CMY Color Mixing System  
25 Position Color Wheel

## GOBOS

2 Gobo Wheels  
13 Interchangeable-Rotating / Indexing Metal Gobos  
26 Static-Stamped Metal Gobos

## CONTROL / CONNECTIONS

2 DMX Channel Modes (26/36 Ch)  
(6) Button Touch Panel  
Full Color 180° Reversible LCD Menu Display  
DMX, RDM, Art-Net and sACN Protocol Support  
NFC Support  
Ip65 5pin DMX In/Out  
IP65 RJ45 Ethernet In/Out  
IP65 Locking Power In

## SIZE / WEIGHT

Length: 14.5" (370mm)  
Width: 20" (508mm)  
Height: 31.5" (800mm)  
Weight: 117 lbs. (53kg)

## ELECTRICAL

AC 100-240V 50/60Hz  
670W Max Power Consumption  
-4°F to 113°F (-20°C to 45°C)

## APPROVALS / RATINGS

CE | cETLus | UKCA | FCC | IP66





# PROTEUS ATLAS



500W Solid State phosphor-converted Beam FX Fixture

**GOBOS | COLORS | ANIMATION WHEEL**

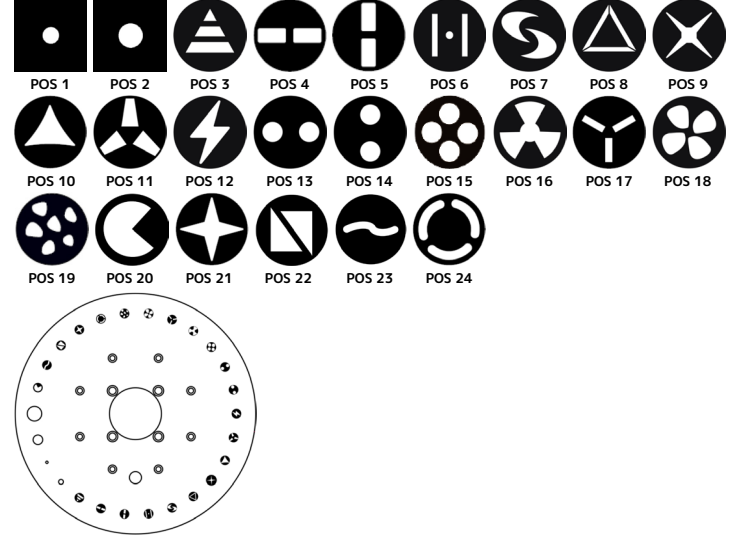
### COLOR FLAGS



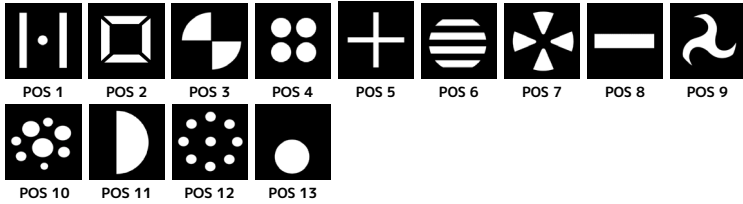
### COLOR WHEEL



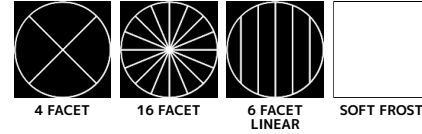
### FIXED GOBO WHEEL



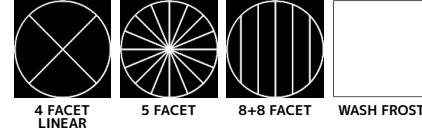
### INTERCHANGEABLE ROTATING GOBO WHEEL



### FX WHEEL 1



### FX WHEEL 2



## ORDERING INFORMATION

PRA501	PENDING	PROTEUS ATLAS
TRIGGER CLAMP	1741000032	Heavy Duty Wrap Around Hook Style Clamp
TOU027	PENDING	Tour Link 5pin, 10Ft., Tour Grade, DMX Data Cable*
		*Additional cable lengths available



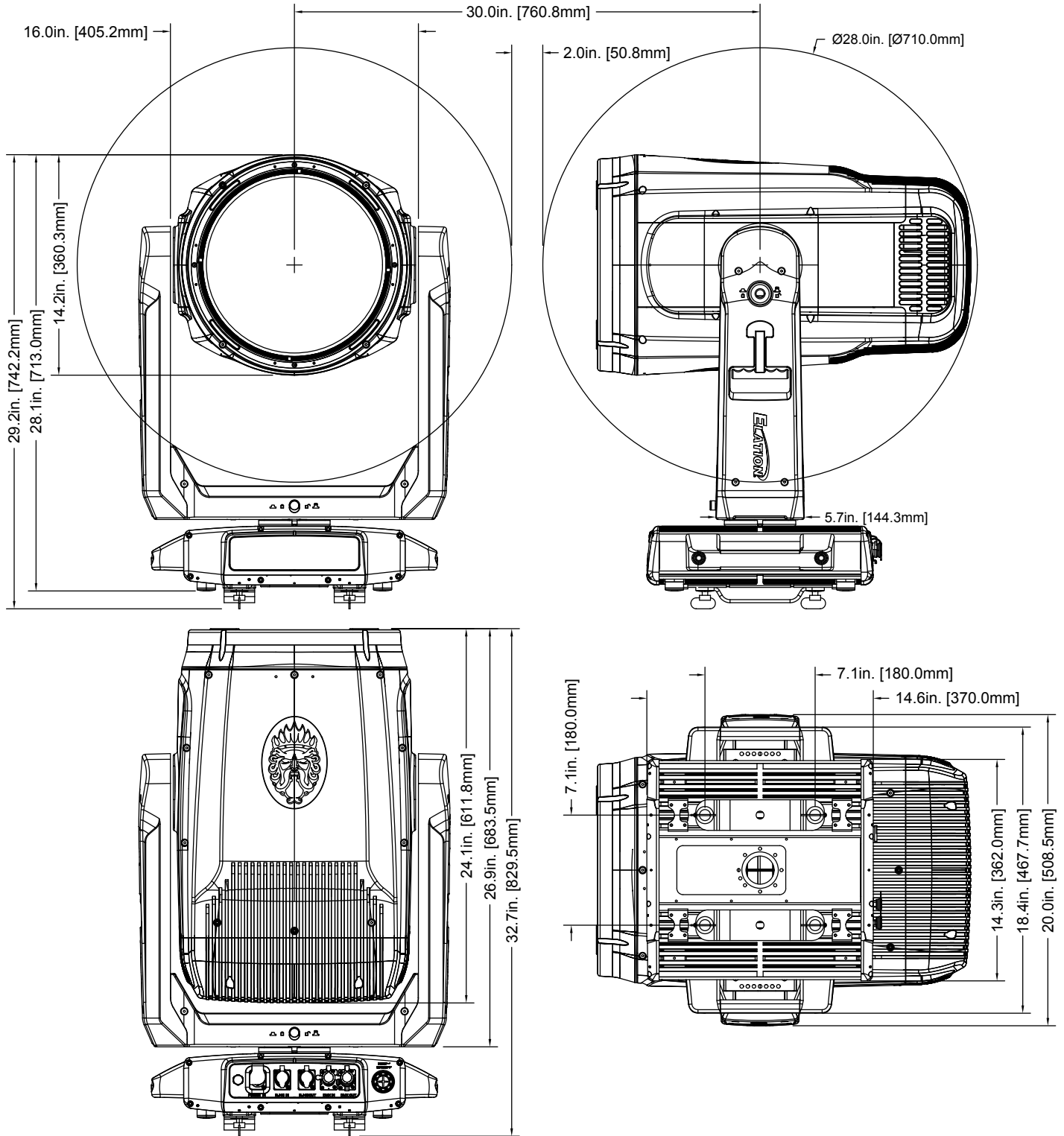


# PROTEUS ATLAS



500W Solid State phosphor-converted Beam FX Fixture

## UNIT DIMENSIONS



Specifications are subject to change without notice ©Elation Professional 05/17/2024

Elation Professional USA | 6122 S. Eastern Ave. | Los Angeles, CA. 90040  
323-582-3322 | 323-832-9142 fax | www.elationlighting.com | info@elationlighting.com

Elation Professional B.V. | Junostraat 2 | 6468 EW Kerkrade, The Netherlands  
+31 45 546 85 66 | +31 45 546 85 96 fax | www.elationlighting.eu | info@elationlighting.eu



# PROTEUS ATLAS



500W Solid State phosphor-converted Beam FX Fixture

## FOAM IN-LAY DIMENSIONS

